

A B C D E F G H

1

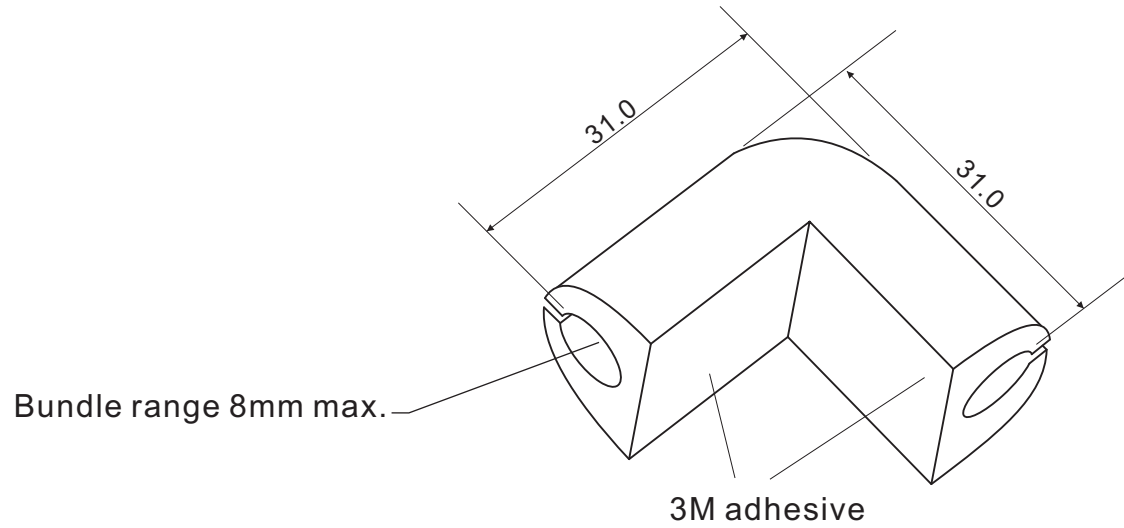
2

3

4

5

6



Specification

Color: Black / White / Grey
Material: Soft PVC

PART No.

SWC-08LOBK	Black
SWC-08LOWT	White
SWC-08LOGY	Grey

DATE	REVISION	APPROVAL BY	DIMENSION	mm ±0.2	NAME	Soft clip, L shaped with outer clip
			DRAW BY	Vivian Lai	SUGO INDUSTRIAL CO., LTD. TEL : 852-27901280 FAX : 852-23890688 Email : sales@sugo.com.hk	
			APPROVAL BY	Rikki So		
			DATE	21-02-2014		