

A

B

C

D

E

F

G

H

1

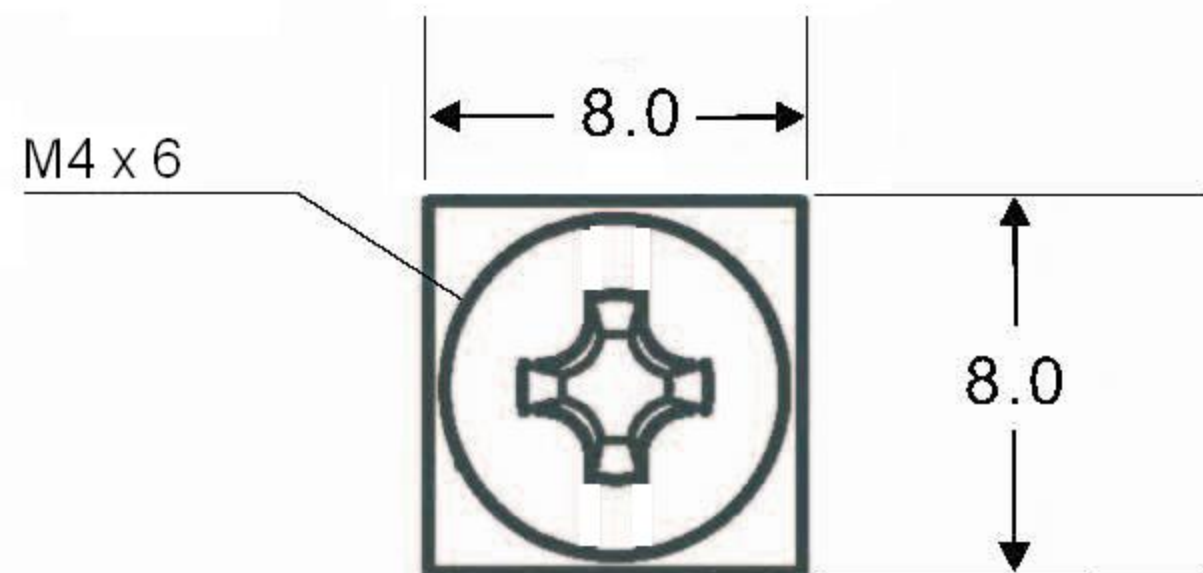
2

3

4

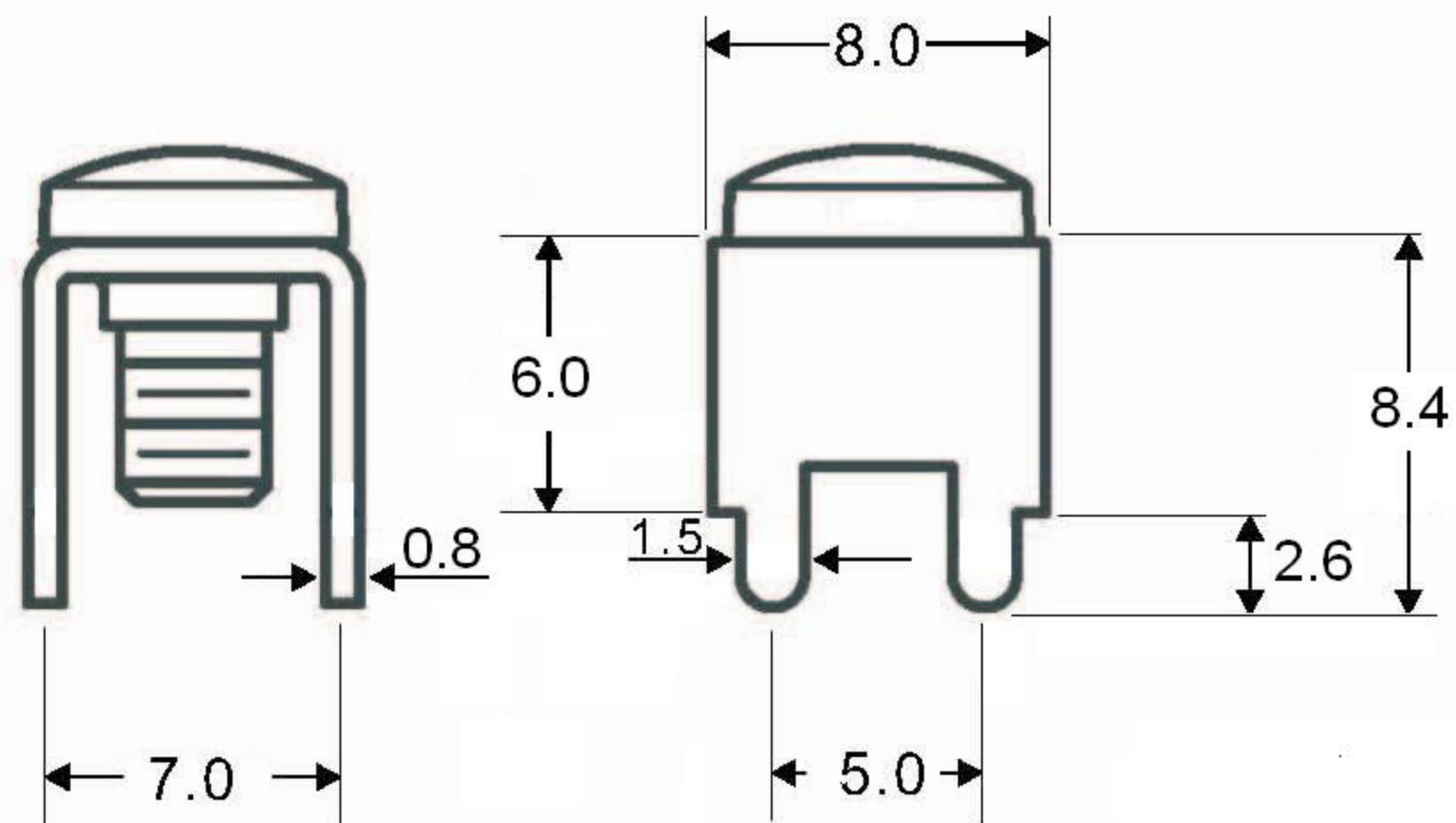
5

6

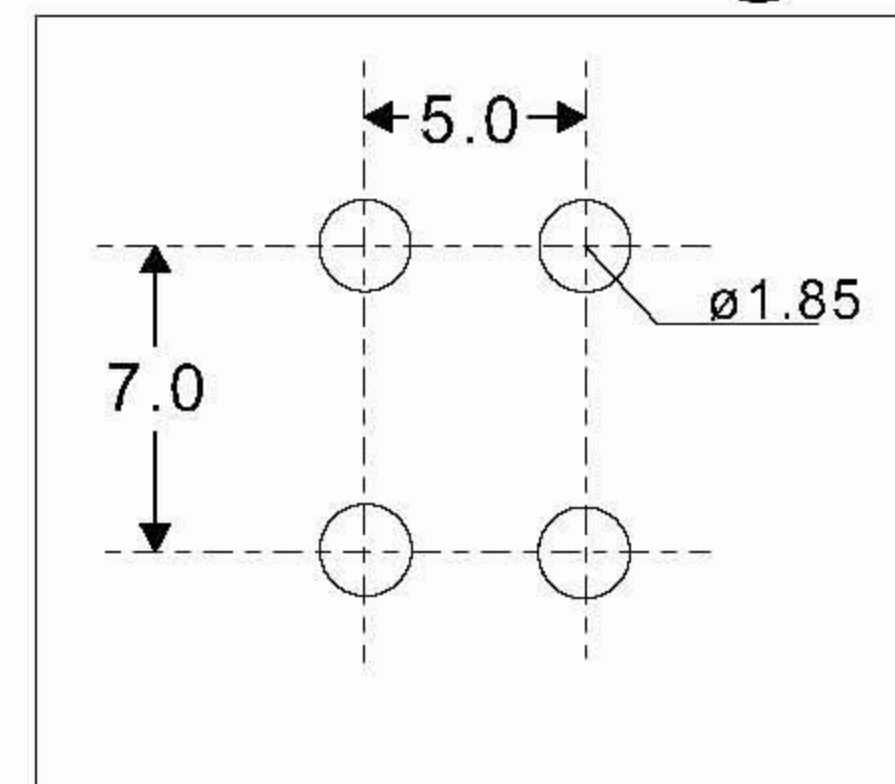


SPECIFICATION

MATERIAL : BRASS
 PLATING : TIN
 TOLERANCE : ±0.2



Mounting



DATE	REVISION	APPROVAL BY	DIMENSION	mm	DRAW No	SU-0903001
			DRAW BY	Camily	PART No	JP7788
			APPROVAL BY	<i>Rikki</i>	NAME	TERMINAL CONNECTOR
			DATE	05-03-09	SUGO INDUSTRIAL CO., LTD. TEL : 852-27901280 FAX : 852-23890688 Email : sales@sugo.com.hk	