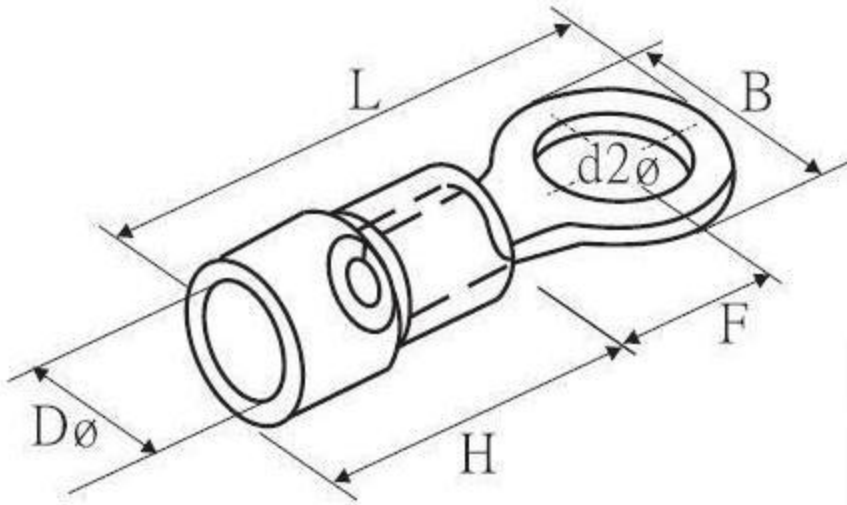


Ring Terminals - Insulated



Material

Terminal: Copper
Insulation: PVC / Nylon 66
Plating: Tin

WIRE RANGE mm ² / AWG	PART NO.	DIMENSION							COLOR
		STUD SIZE	d2ø (mm)	B (mm)	L (mm)	F (mm)	H (mm)	Dø (mm)	
0.5~1.5mm ² 22~16 AWG	RV1.25-3	#4	3.2	5.5	17.5	4.95	10.5	4.3	RED
	RV1.25-3.5S	#6	3.7	5.5	17.5	4.95			
	RV1.25-3.5M	#6	3.7	6.6	20.1	6.3			
	RV1.25-3.5L	#6	3.7	8	21.5	7			
	RV1.25-4S	#8	4.3	6.6	21.5	6.3			
	RV1.25-4L	#8	4.3	8	21.5	7			
	RV1.25-5	#10	5.3	8	21.5	7			
	RV1.25-6	1/4	6.5	11.6	27.5	11.1			
	RV1.25-8	5/16	8.4	11.6	27.5	11.1			
RV1.25-10	3/8	10.5	13.6	31.6	13.9				
1.5~2.5mm ² 16~14 AWG	RV2-3	#4	3.2	6.6	20.6	4.3	10	4.9	BLUE
	RV2-3.5S	#6	3.7	6.6	20.6	4.3			
	RV2-3.5M	#6	3.7	6.6	21	7			
	RV2-3.5L	#6	3.7	8.5	22.5	7.75			
	RV2-4S	#8	4.3	6.6	21	7			
	RV2-4L	#8	4.3	8.5	22.5	7.75			
	RV2-5S	#10	5.3	8.5	23	7.75			
	RV2-5L	#10	5.3	9.5	22.5	7.25			
	RV2-6	1/4	6.5	12	28.1	11			
	RV2-8	5/16	8.4	12	28.1	11			
RV2-10	3/8	10.5	13.6	31.9	13.9				
2.5~4mm ² 14~12 AWG	RV3.5-4	#8	4.3	8	24.5	7.7	12.5	6.2	BLACK
	RV3.5-5S	#10	5.3	8	24.5	7.7			
	RV3.5-5L	#10	5.3	12	27.9	7.7			
	RV3.5-6	1/4	6.5	12	27.9	7.7			
4~6mm ² 12~10 AWG	RV5.5-3.5	#6	3.7	7.2	21.4	5.9	12.5	6.7	YELLOW
	RV5.5-4S	#8	4.3	7.2	22.8	5.9			
	RV5.5-4L	#8	4.3	9.5	25.5	8.3			
	RV5.5-5	#10	5.3	10.6	21.1	8.3			
	RV5.5-6	1/4	6.5	12.3	29.8	13			
	RV5.5-8	5/16	8.4	15	34.3	13.7			
	RV5.5-10	3/8	10.5	15	33.7	13.7			
	RV5.5-12	1/2	13	19.2	38.1	16			