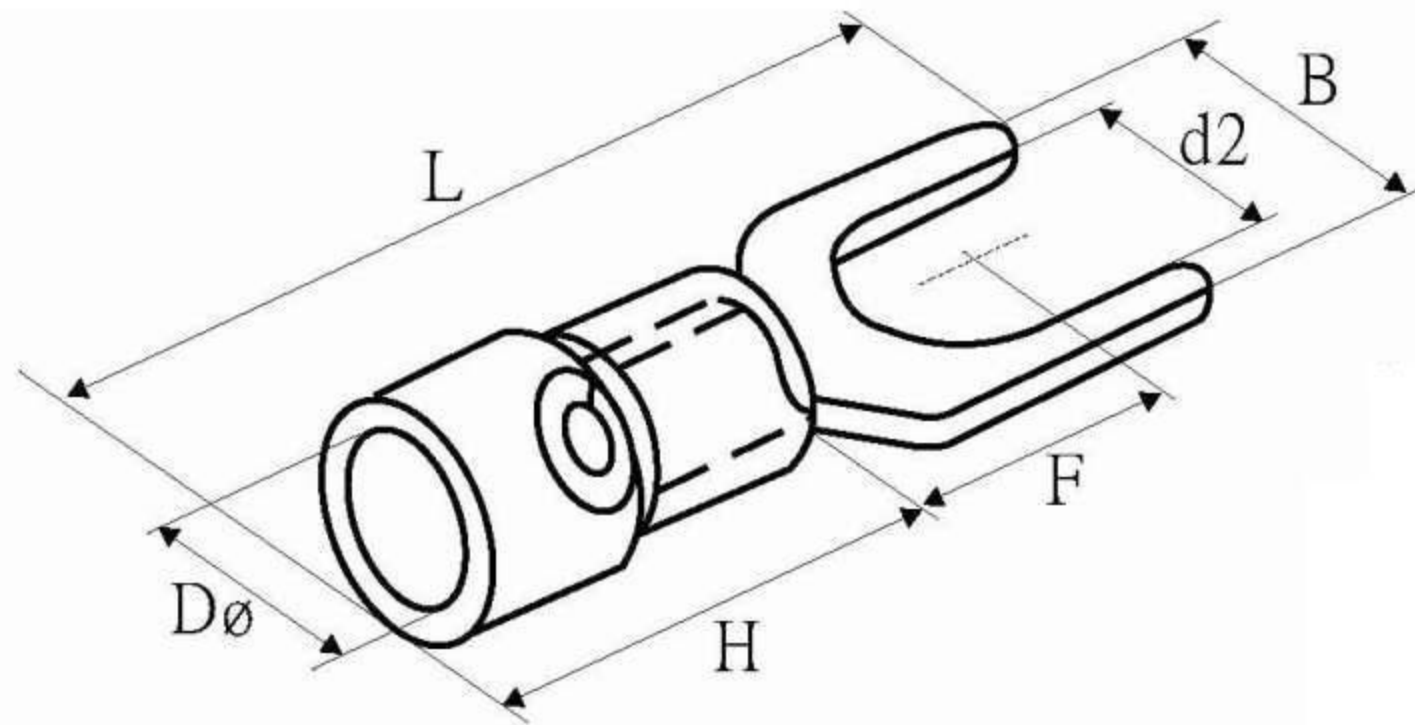


## Spade Terminals - Insulated



### Material

Terminal: Copper  
Insulation: PVC / Nylon 66  
Plating: Tin

WIRE RANGE mm <sup>2</sup> /AWG	PART NO.	DIMENSION							COLOR
		STUD SIZE	d2 (mm)	B (mm)	L (mm)	F (mm)	H (mm)	Dø (mm)	
0.5~1.5mm <sup>2</sup> 22~16 AWG	SV1.25-3	#4	3.2	5.7	21.2	6.5	10	4.3	RED
	SV1.25-3.5S	#6	3.7	5.7	21.2	6.5			
	SV1.25-3.5L	#6	3.7	6.4	21.2	6.5			
	SV1.25-4S	#8	4.3	6.4	21.2	6.5			
	SV1.25-4M	#8	4.3	7.2	21.2	6.5			
	SV1.25-4L	#8	4.3	8.1	21.2	6.5			
	SV1.25-5S	#10	5.3	8.1	21.2	6.5			
	SV1.25-5L	#10	5.3	9.5	21.2	6.5			
	SV1.25-6S	1/4	6.5	10.5	21.2	6.5			
	SV1.25-6L	1/4	6.5	12	27.2	11			
1.5~2.5mm <sup>2</sup> 16~14 AWG	SV2-3	#4	3.2	5.7	21.2	6.5	10	4.9	BLUE
	SV2-3.5S	#6	3.7	5.7	21.2	6.5			
	SV2-3.5L	#6	3.7	6	21.2	6.5			
	SV2-4S	#8	4.3	6.4	21.2	6.5			
	SV2-4M	#8	4.3	7.2	21.2	6.5			
	SV2-4L	#8	4.3	8.1	21.2	6.5			
	SV2-5S	#10	5.3	9	21.2	6.5			
	SV2-5L	#10	5.3	9.5	21.2	6.5			
	SV2-6S	1/4	6.5	9.5	21.2	6.5			
	SV2-6L	1/4	6.5	12	27.2	11			
2.5~4mm <sup>2</sup> 14~12 AWG	SV3.5-4	#8	4.3	8	24.8	7	12.5	6.2	BLACK
	SV3.5-5	#10	5.3	8	24.8	7			
	SV3.5-6	1/4	6.5	12	28	12.1			
4~6mm <sup>2</sup> 12~10 AWG	SV5.5-3.5	#6	3.7	8.3	25.2	7.5	12.5	6.7	YELLOW
	SV5.5-4S	#8	4.3	8.3	25.2	7.5			
	SV5.5-4L	#8	4.3	9	25.2	7.5			
	SV5.5-5	#10	5.3	10	26	7.5			
	SV5.5-6S	1/4	6.5	10	26	7.5			
	SV5.5-6L	1/4	6.5	12	31.2	12			
	SV5.5-8	5/16	8.4	14	30	11.5			