

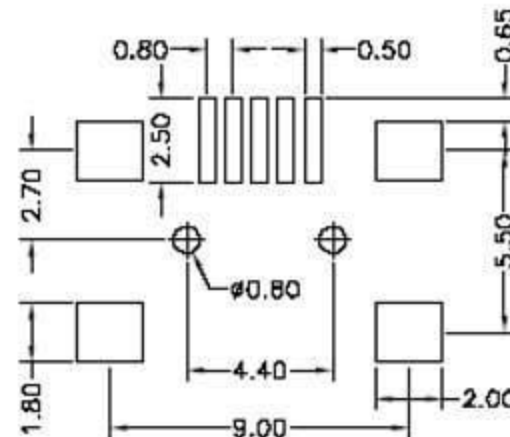
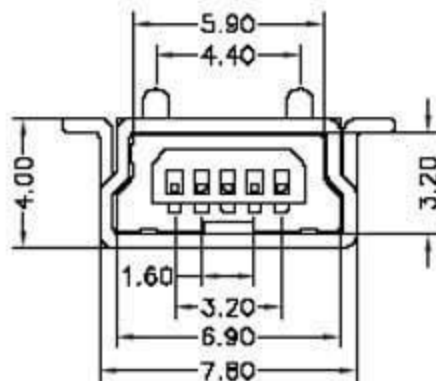
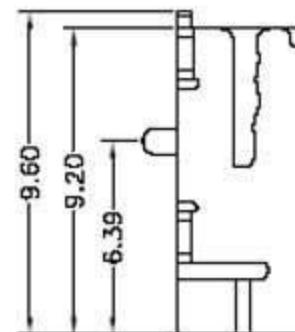
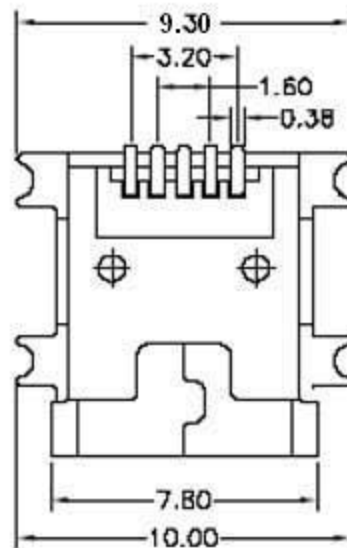
MINI USB FEMALE 5P SMT

REVISION DATA			
ITEM	DESCRIPTION	DATE	REMARK
▲			
▲			

SPECIFICATIONS

Current Rating: 1.0 AMP
 Withstand Voltage: 100V AC/DC
 Contact Resistance: 50mΩ Max
 Insulation Resistance: 100MΩ Min
 Operation Temperature: -50°C to +85°C

Contact Material: Brass
 Contact plating: Au or Sn over 50U" Ni
 Shell Material: Brass
 Shell plated: 100U" Ni over 50U" Cu
 Insulator Material: High Temperature Thermoplastic+30%GF (UL94V-0)



DATE	REVISION	APPROVAL BY	DIMENSION	mm
			DRAW BY	ALEXANDER
			APPROVAL BY	Andy
			DATE	



PART No	AK6121-5MSN01
NAME	2.0 Mini USB B-Type / Female
SUGO INDUSTRIAL CO., LTD.	
TEL : 852- 27901280 FAX : 852-29830688	
Email : sales@sugo.com.hk	