

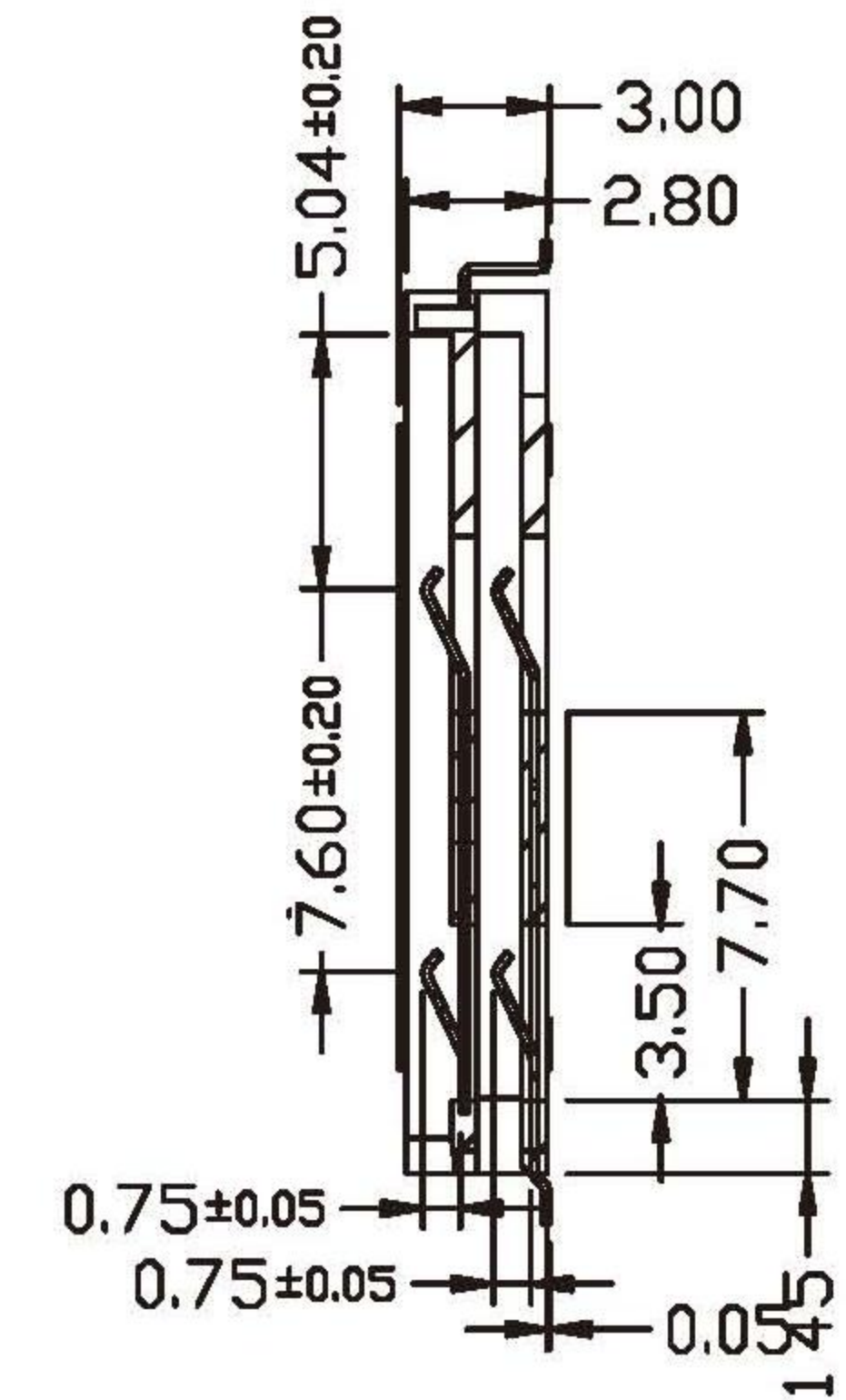
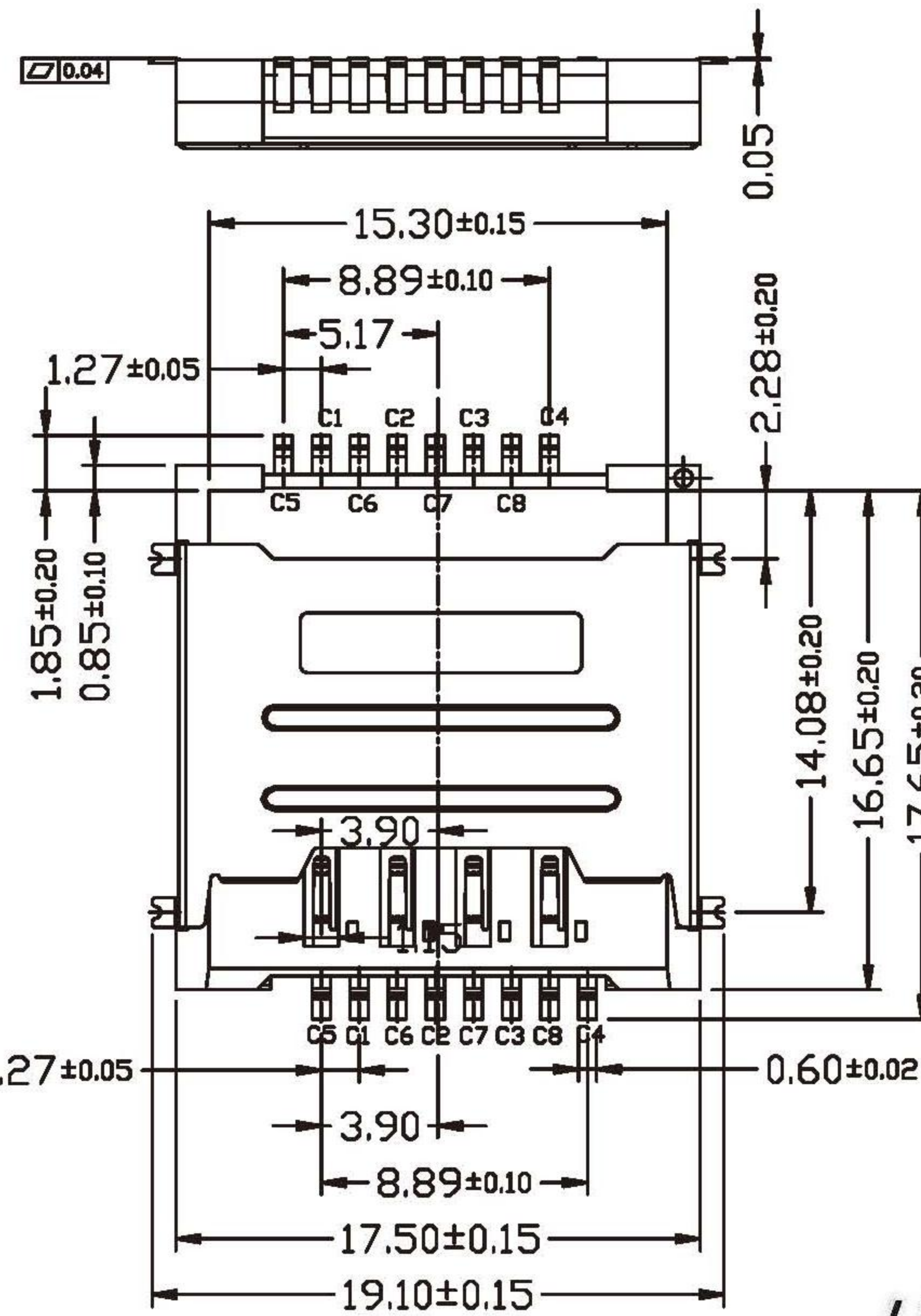
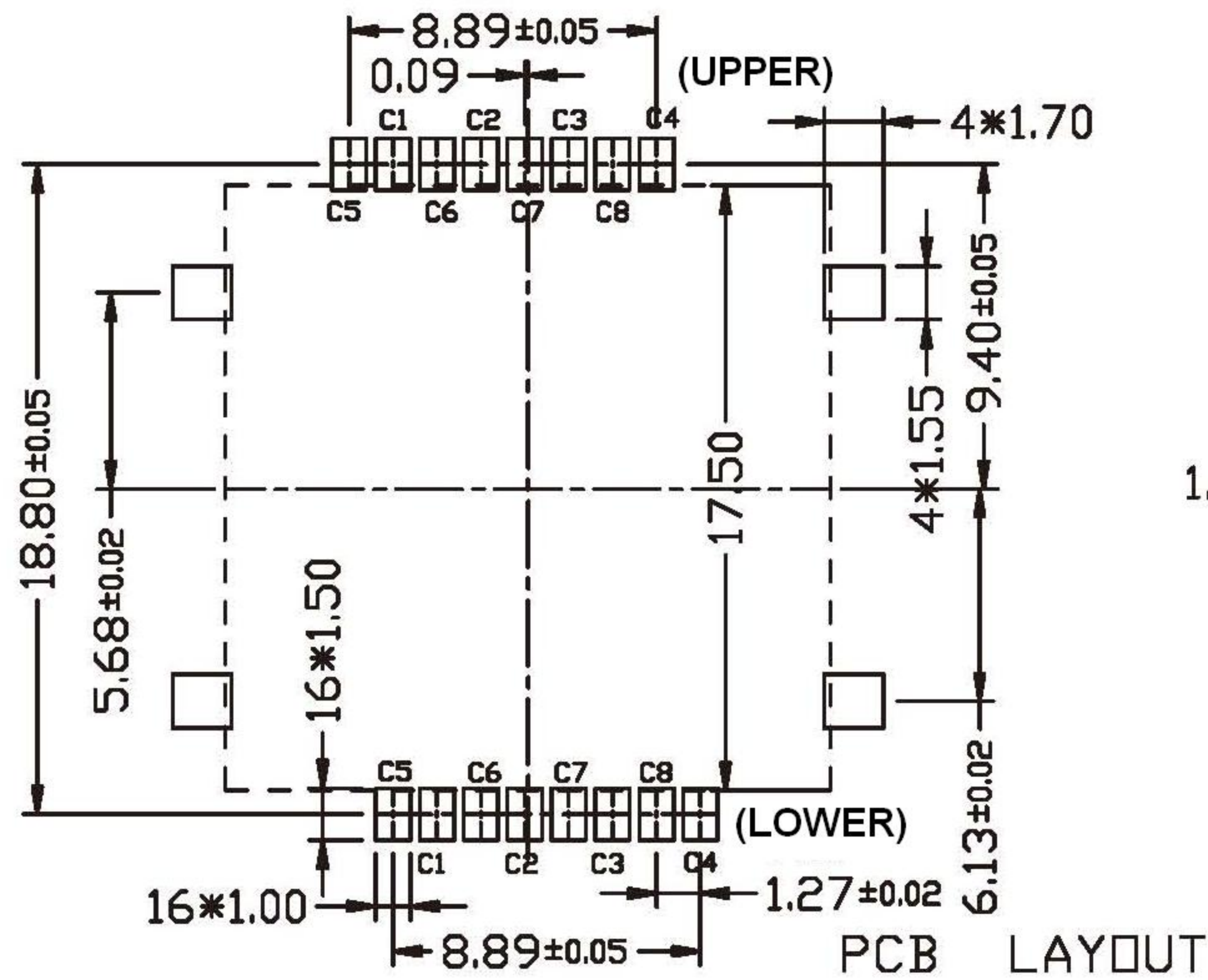
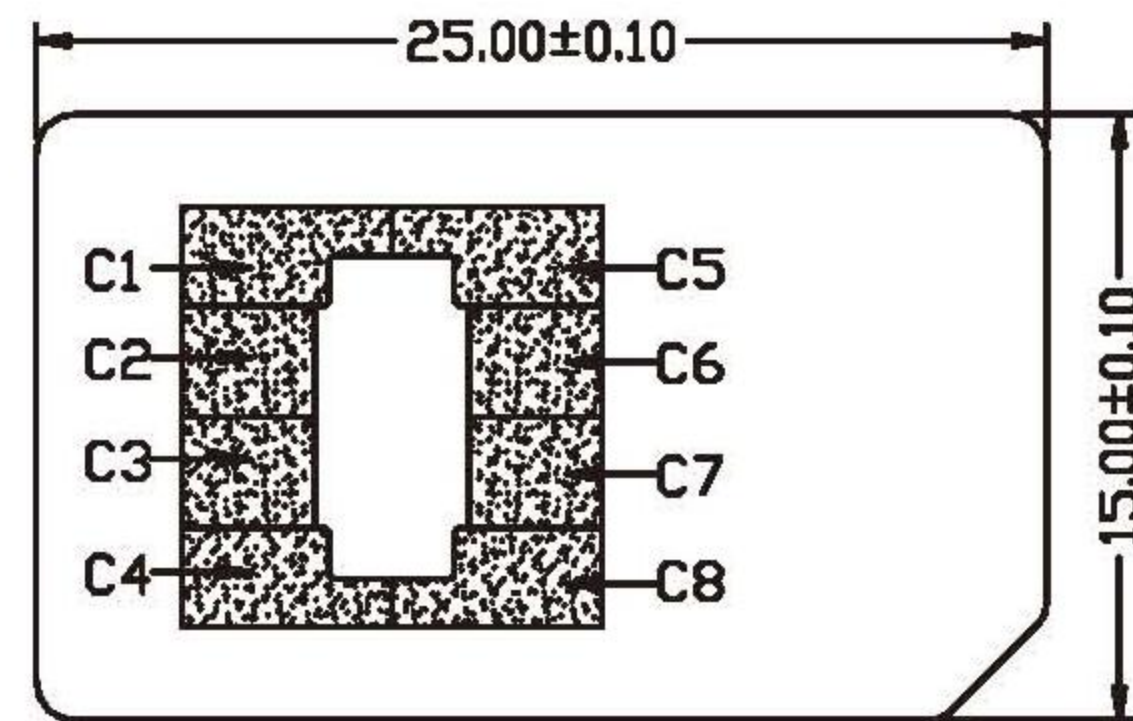
NOTE:

1.MATERIAL:

- 1.1 HOUSING: HIGH THERMOPLASTIC ,UL 94V-0 COLOR: BLACK.
- 1.2 CONTACT: 5191R-H,T=0.15±0.01;
- 1.3 SHELL: C2680R-H,T=0.15±0.01;

2.FINISH: 2.1 CONTACT: GOLD OVER NICKEL
2.2 SHELL: NICKEL OVER ALL OVER,
G/F OVER SOLDER AREA;

3.RATING: OPERATING VOLTAGE: 30V
CURRENT RATING: 0.5A
OPERATING TEMPERATURE:-20°C~+85°C



PIN NO	PIN NAME
C1	VCC
C2	RST
C3	CLK
C4	Reserved
C5	GND
C6	VPP
C7	I/O
C8	Reserved

HOW TO ORDER
ASM-1917-208DP

Special Options

DIMENSION	mm	DATE	REVISION	APPROVAL BY
DRAW BY	Alex			
APPROVAL BY	Rikki			
DATE				

DESCRIPTION: SIM Card Socket Connector / Dual Card / Push-Pull Type / 8 Pin / S.M,D

