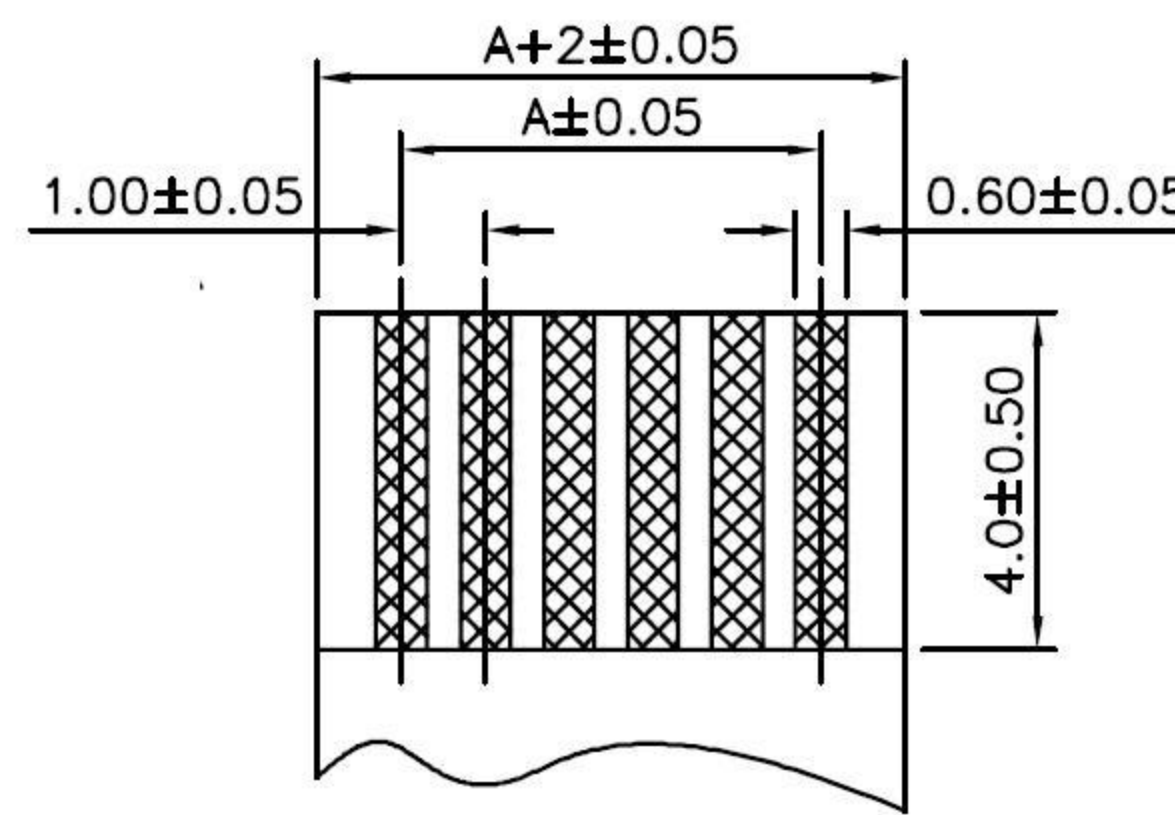


△ Recommended P.C.B. Layout (Top Side)  
(PCB Board Tolerance ±0.05)



FPC/FFC T=0.30±0.05

**Material & Finish :**

Housing : Nylon 6T . UL 94v-0 / Black

Contact : Phosphor Bronze . Plating : Tin / Lead ( Gold Plated is Available)

**Electrical Characteristics:**

Operating Voltage : 50V AC

Current Rating : 0.5 Amp Max

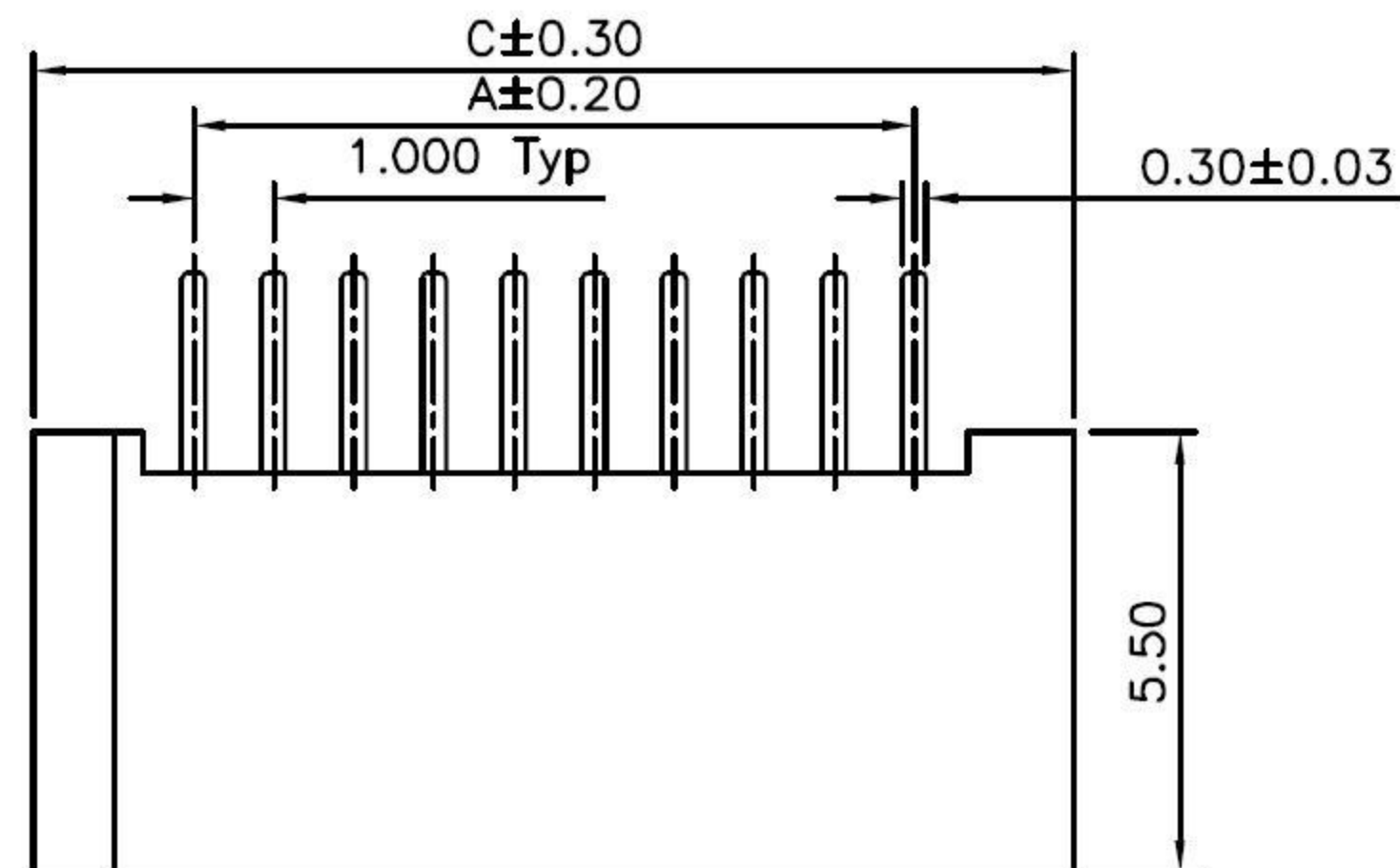
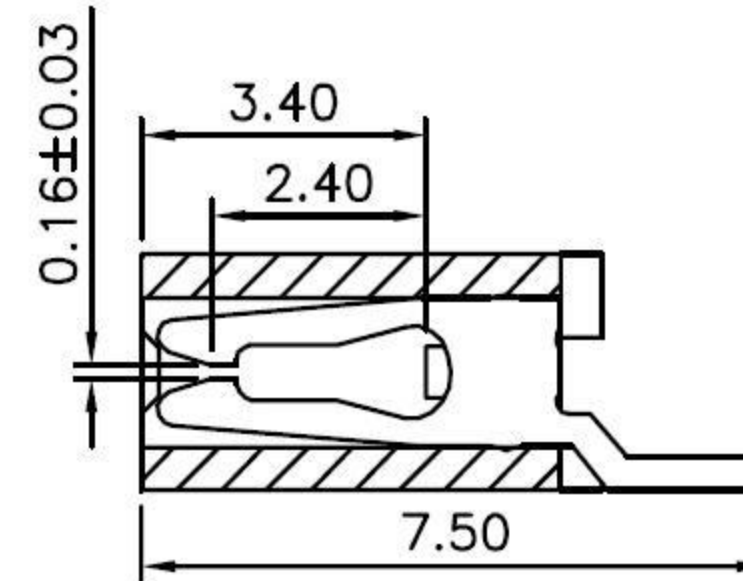
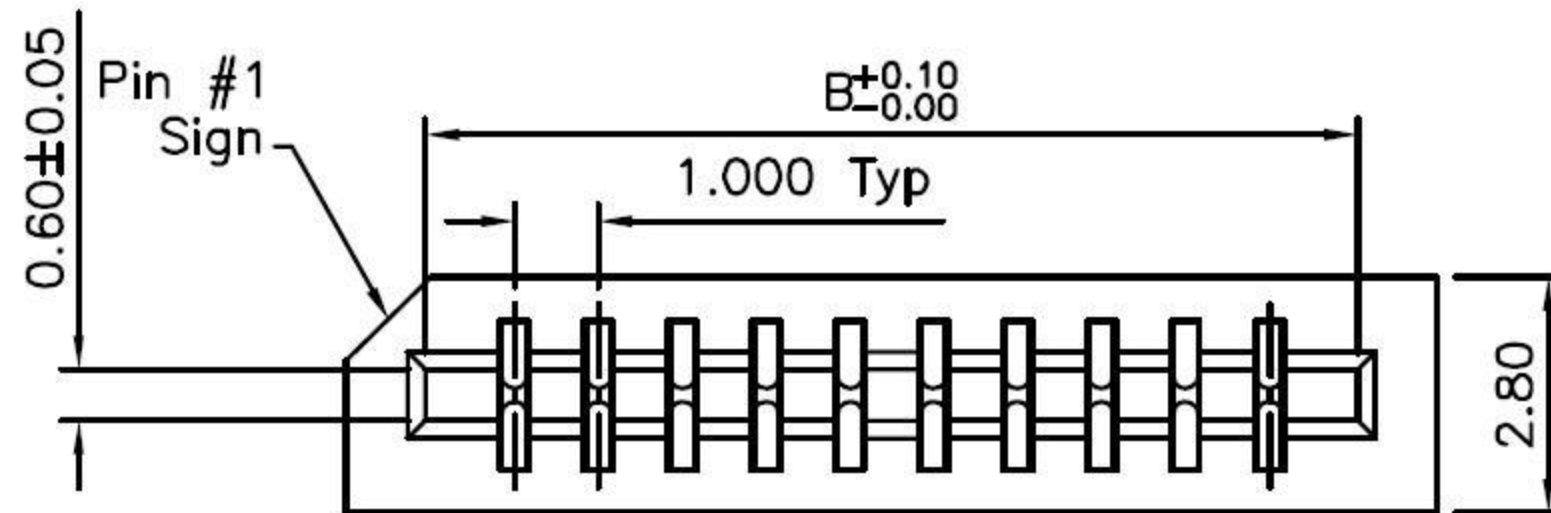
Contact Resistance : 30m Min

Insulation Resistance : 500m Min

Dielectric Withstanding Voltage : 500V AC For One Minute

**Environmental Characteristics:**

Operating Temperature: -20°C ~ +85°C



Pin	A	B	C
03	2.00	4.10	6.00
04	3.00	5.10	7.00
05	4.00	6.10	8.00
06	5.00	7.10	9.00
07	6.00	8.10	10.00
08	7.00	9.10	11.00
09	8.00	10.10	12.00
10	9.00	11.10	13.00
11	10.00	12.10	14.00
12	11.00	13.10	15.00
13	12.00	14.10	16.00
14	13.00	15.10	17.00
15	14.00	16.10	18.00
16	15.00	17.10	19.00

Pin	A	B	C
17	16.00	18.10	20.00
18	17.00	19.10	21.00
19	18.00	20.10	22.00
20	19.00	21.10	23.00
21	20.00	22.10	24.00
22	21.00	23.10	25.00
23	22.00	24.10	26.00
24	23.00	25.10	27.00
25	24.00	26.10	28.00
26	25.00	27.10	29.00
27	26.00	28.10	30.00
28	27.00	29.10	31.00
29	28.00	30.10	32.00
30	29.00	31.10	33.00



DIMENSION	mm	DATE	REVISION	APPROVAL BY
DRAW BY	Alex			
APPROVAL BY	Rikki			
DATE				

**HOW TO ORDER**  
**FNZ10-XXP-90**

No. of Contacts Packing Type / = Tube  
03 - 30 Pin R= Reel

DESCRIPTION: Pitch 1.0mm 90° Angle SMD / Non- Zif Dual Contact