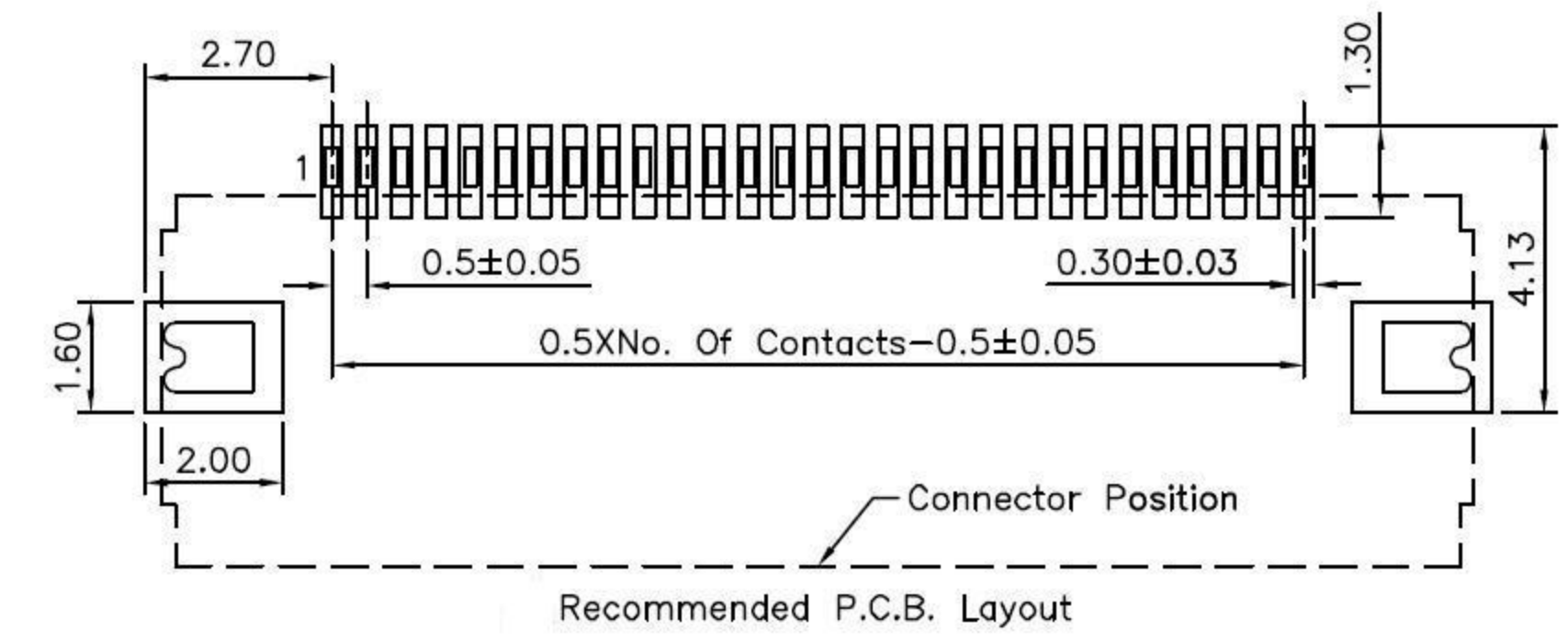
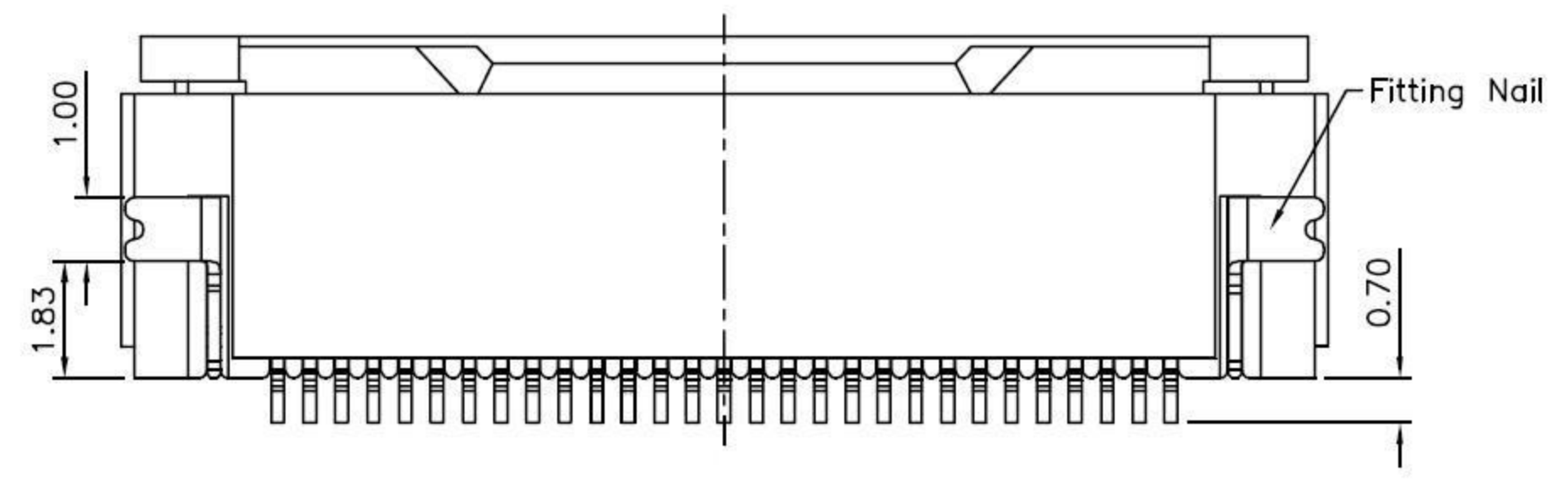
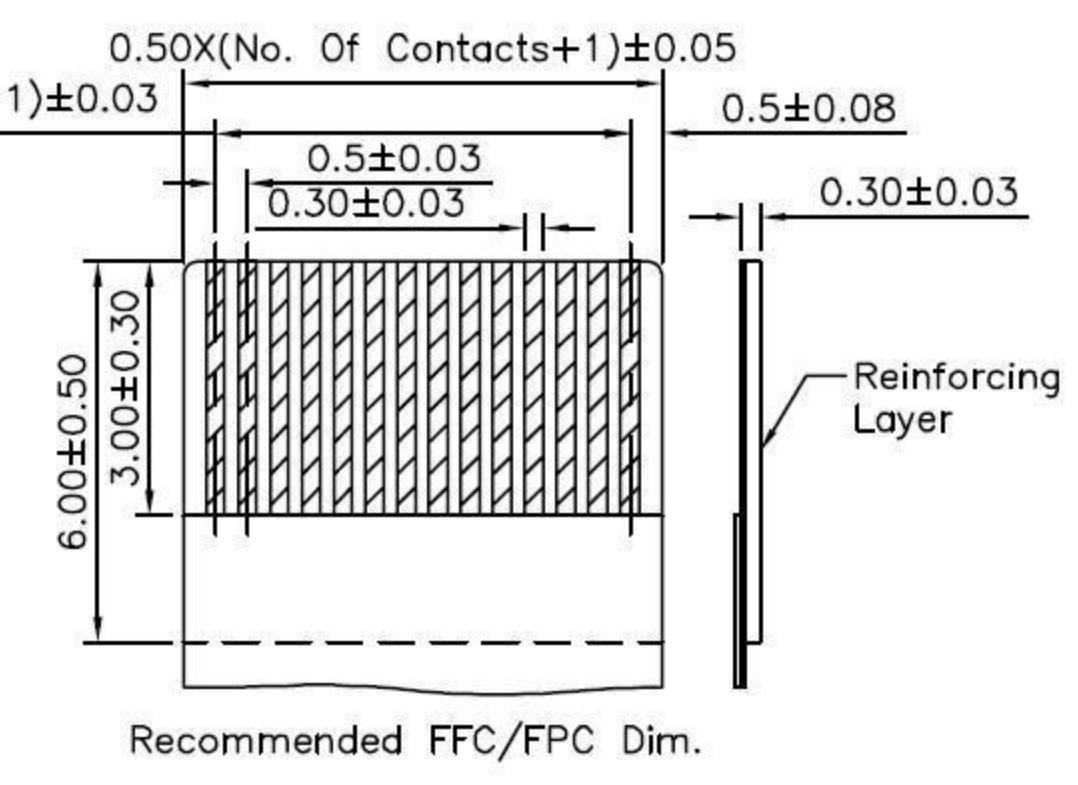
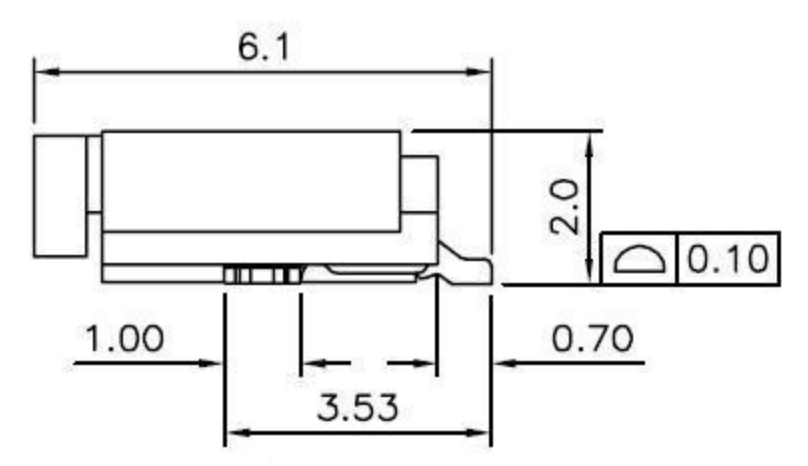
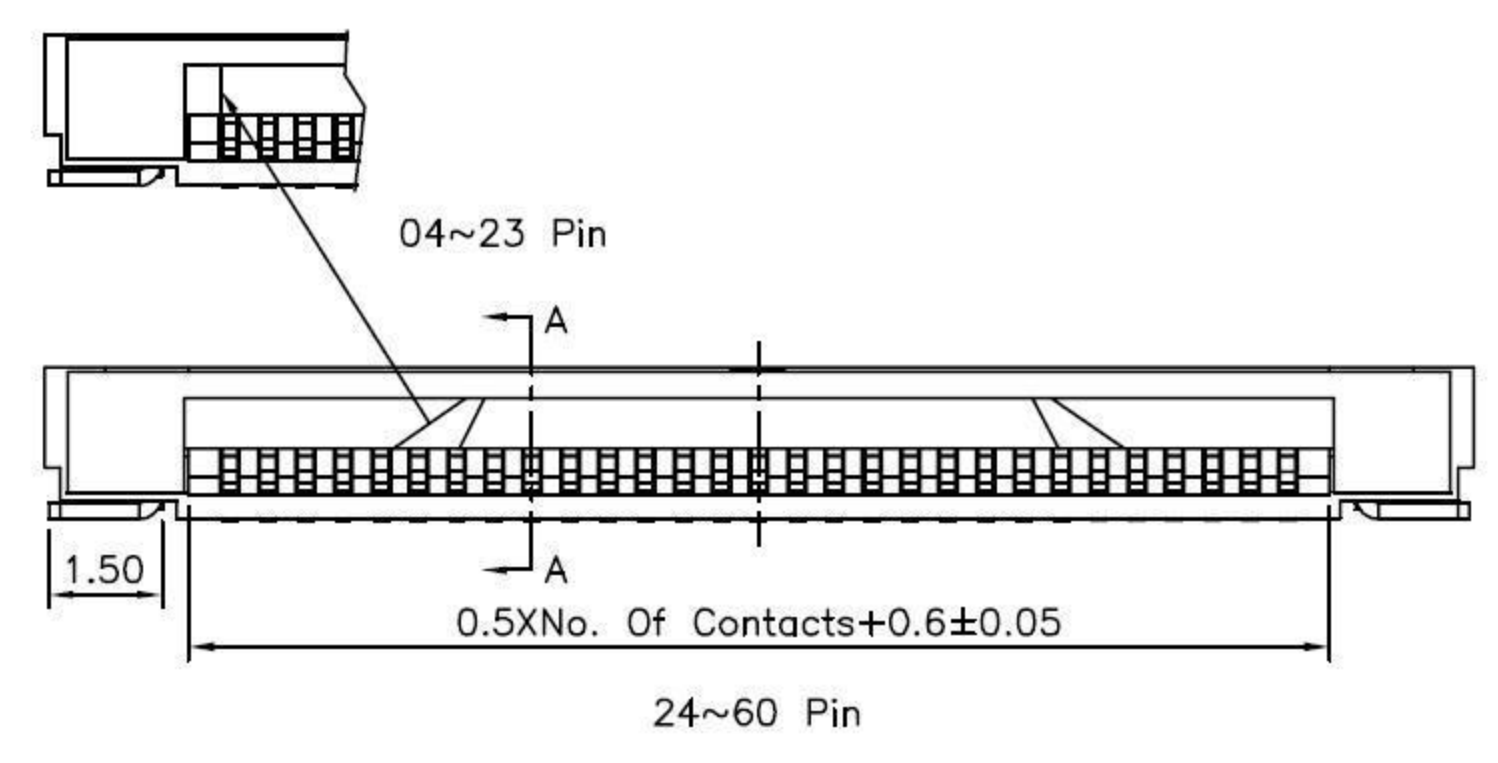



Material & Finish :
 Housing : Nylon 6T . UL 94v-0
 Actuator : PPA . UL94V-0
 Contact : Phosphor Bronze . Plating : Tin / Lead (Gold Plated is Available)
 Solder Tab: Brass . Plating : Tin / Lead

Electrical Characteristics:
 Operating Voltage : 50V Max
 Current Rating : 0.4 Amp Max
 Contact Resistance : 30m Min
 Insulation Resistance : 500m Min
 Dielectric Withstanding Voltage : 200V AC RMS For 1 Minute

Environmental Characteristics:
 Operating Temperature: -45°C ~ +85°C



	DIMENSION	mm	DATE	REVISION	APPROVAL BY
	DRAW BY	Alex			
	APPROVAL BY	Rikki			
	DATE	03-12-08			

HOW TO ORDER

FPC05-XXPSMD-120 /
 1 2

- No. of Contacts
04 - 60 Pin
- Packing Type
/ = Tube
R = Reel

DESCRIPTION: Pitch 0.5mm 90° Angle / SMT Flip-Lock ZIF Type / Bottom Contact