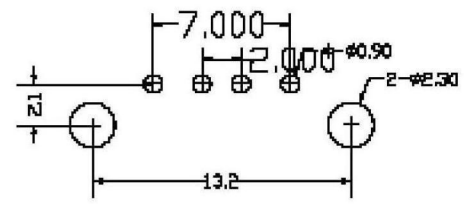
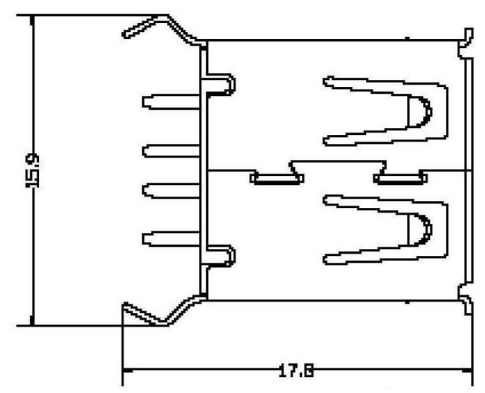
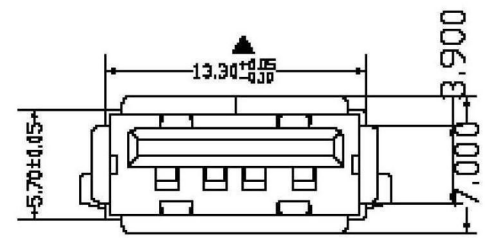
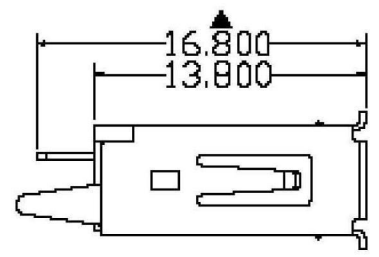
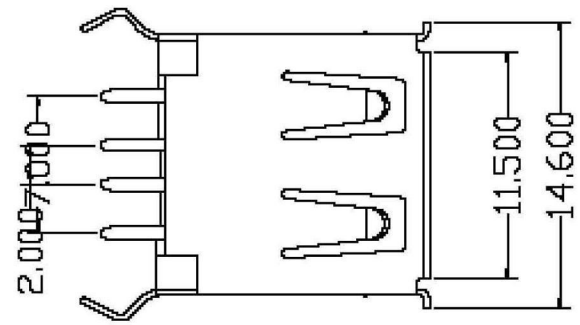


2.0 USB / A-Type / Female / Top Entry

△					
MARK	SIGN	DAET	ECN NO.	REVISIONS	REV. APPROVED



SUGO INDUSTRIAL CO., LTD

	DRAWN	H.Q.huocv	TITLE	
UNIT	MM	VERIFIED	PART NO. USB-02F-TE-W	
SCALE	1:1	APPROVED	DATE 2007. 05. 28	REV. A/0