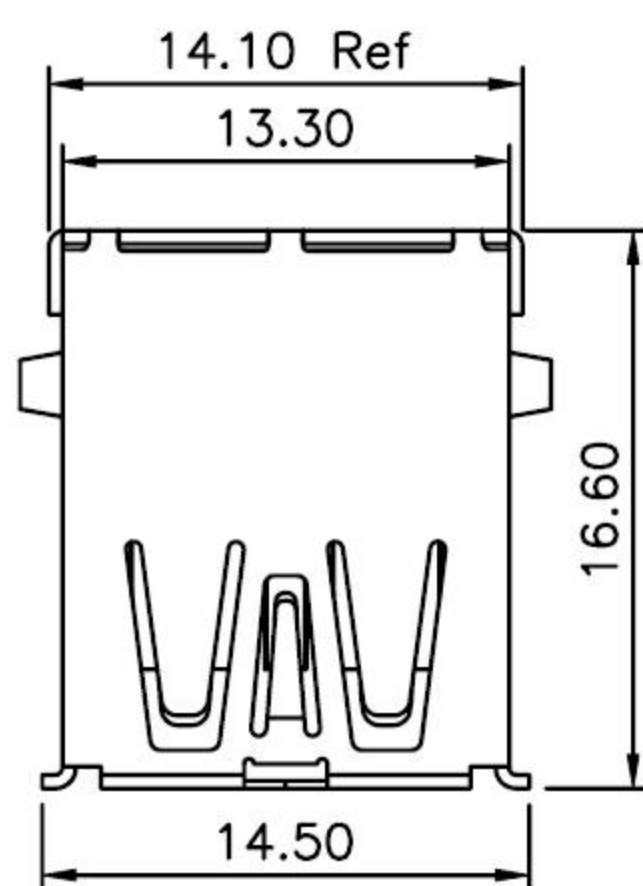
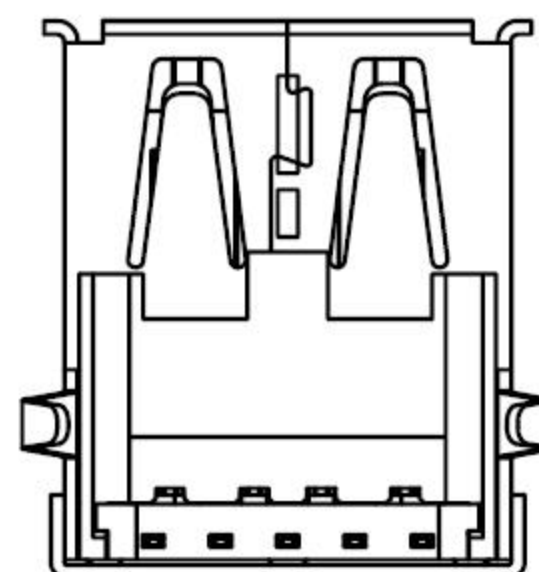
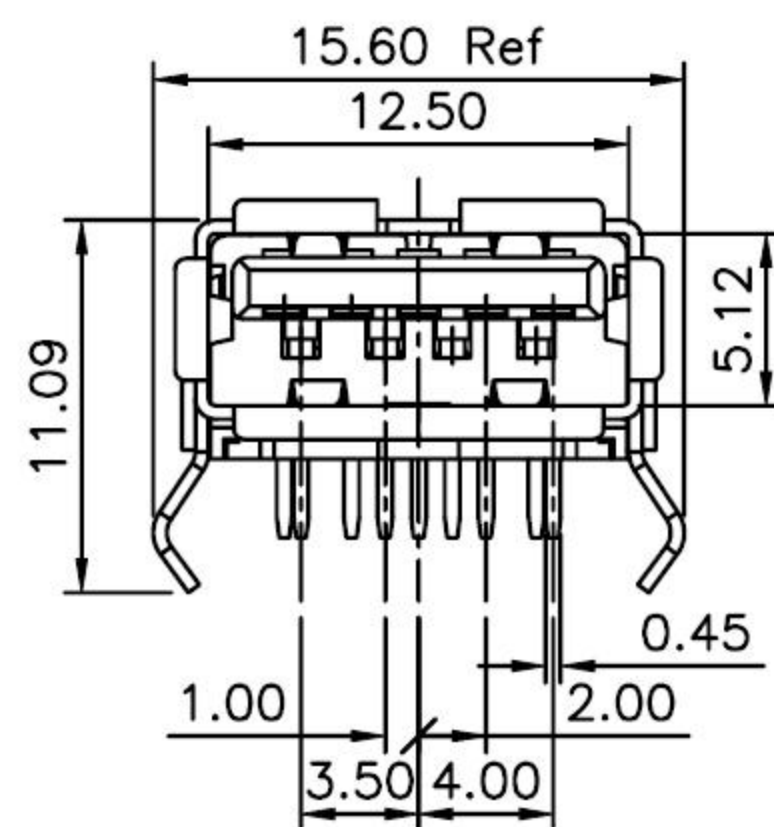
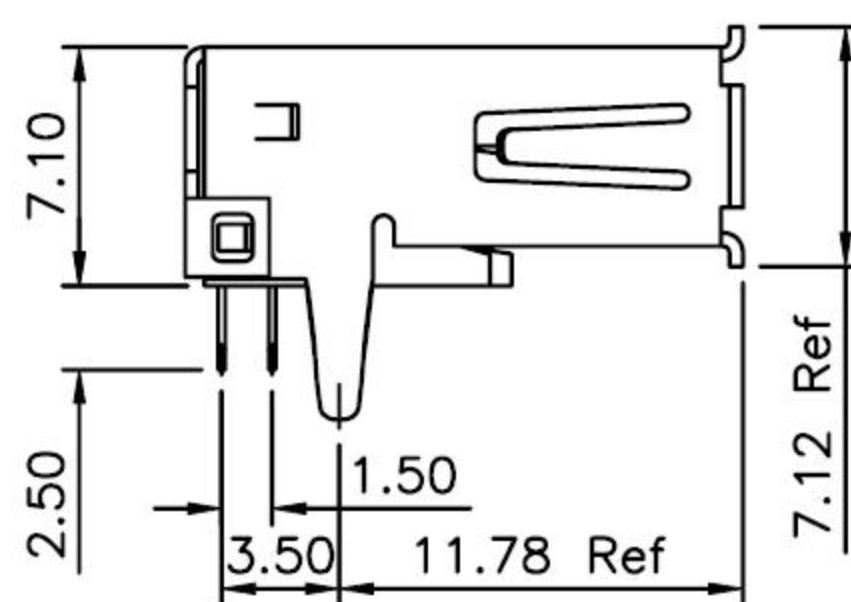


Recommended P.C.B. Layout




**SPECIFICATION**

Current:1.0A Max.  
 Voltage:30V Max.  
 Dielectric Withstanding Voltage:100V AC  
 Contact Resistance:30 Milliohms Max.  
 Insulation Resistance:1000 Megohms Min.  
 Temperature Range:-55°C~+85°C  
 Mating Force:35N Max.  
 Withdrawal Force:10N Min.  
 Durability:1500 Cycles Min.  
 Shell:Brass,Nickel Plated Over All  
 Housing:PBT+30%G.F.(UL94V-0),Blue  
 Cover:PBT+30%G.F.(UL94V-0),Blue  
 4P Contact:Phosphor Bronze  
 5P Contact:Brass  
 Contact Finish:Gold Plated 15u" On Contact Area,  
 Tin Plated On Solder Tail,Under Nickel  
 RoHS Compliant



***HOW TO ORDER***  
**USB-03F-R-BU**

Special Options

	DIMENSION	mm	DATE	REVISION	APPROVAL BY
	DRAW BY	Jimmy			
	APPROVAL BY	<i>Rikki</i>			
	DATE				

DESCRIPTION: 3.0 USB CONNECTOR A TYPE / RIGHT ANGEL /THT