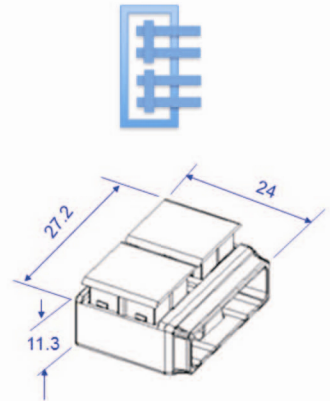
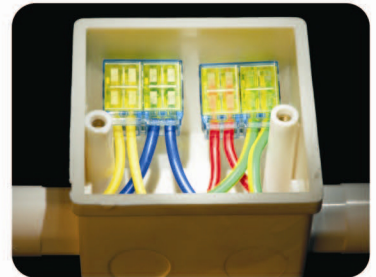
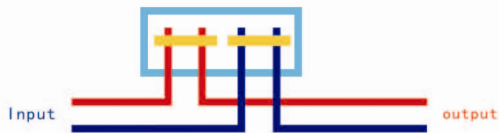


Circuit diagram:



Application



Specification

Model number	Size (mm)	Specification	Wire retention force	Application guide
910017-4	24×27.2×11.3	2*2Pin (short connect) 1.5-2.5mm ² [15-13AWG]	1.5~2.5--8Kg Min. /(Wire)	(Junction box)

Applicable Wire Type

(solid wire, stranded wire, fused wire)