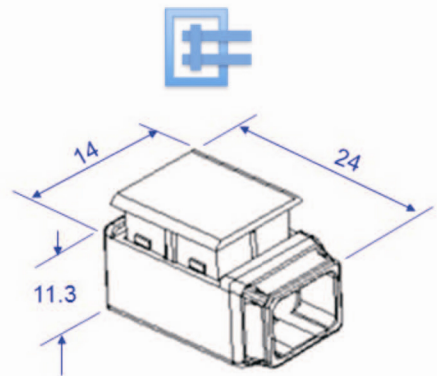
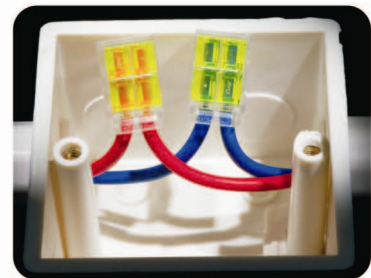
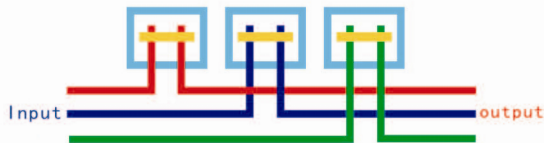


Circuit diagram:



Application



Specification

Model number	Size (mm)	Specification	Wire retention force	Application guide
910019-2	24×14×11.3	2Pin (short connect) 1.5-2.5mm ² [15-13AWG]	5Kg Min./(Wire)	(Junction box)

Applicable Wire Type

(solid wire, stranded wire, fused wire)