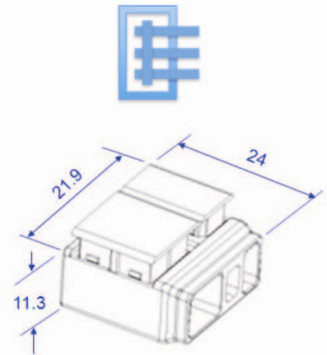
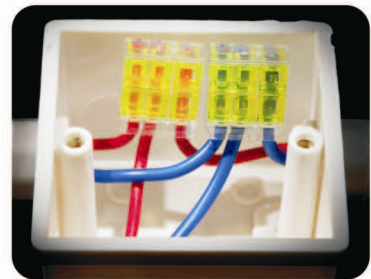
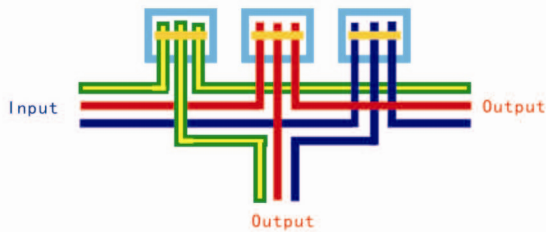


Circuit diagram:



### Application



### Specification

Model number	Size (mm)	Specification	Wire retention force	Application guide
910035-3	24×21.9×11.3	3Pin (short connect) 1.5-2.5mm <sup>2</sup> [15-13AWG]	8Kg Min./(Wire)	( Junction box )

Applicable Wire Type

(solid wire, stranded wire, fused wire)