

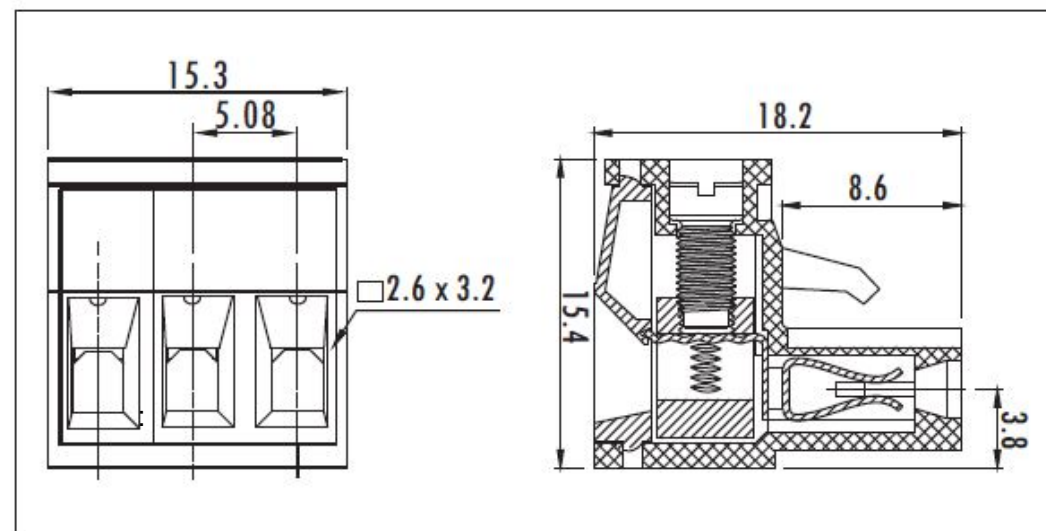
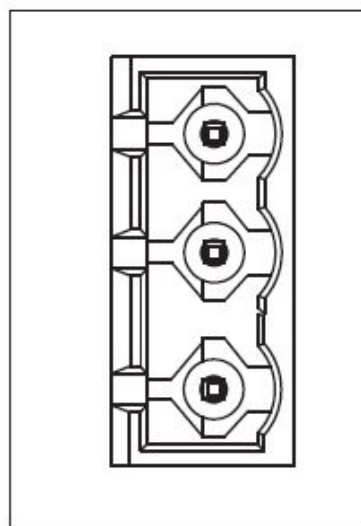
Technical Data:

Electrical:

Voltage Rating: 12VDC
 Current Rating: 5 A
 Contact Resistance: 20Ω
 Insulation Resistance: 5000Ω / 1000V
 Wire Range: 28 - 12 AWG

Mechanical:

Torque: 0.4Nm(3.5Lb/In.)
 Operating Temperature: -40°C to 105°C
 Strip Length: 7mm



Title: 6.35mm Phone Plug Adapter

GENERAL TOLERANCE
 X.X ±0.25
 X.XX ±0.15
 X.XXX ±0.05
 ANGLE TOLERANCE ±1°
 RADIUS ±0.25
 HOLE ±0.13

Part. no.	515-4-8105	DRAWN	Wang Pang	UNIT	mm
Item.	6.35mm Phone plug Adapter	CHECKED	Jade Xu	SIZE	A4
		APPROVED	Camily Pun	SCALE	1:1



★ **Sugo Industrial Company Limited**

Tel: 852 27901280 Fax.:852 23890688
 email: sales@sugo.com.hk

🇺🇸 **Sugo International Pty. Limited**

Tel: (61) 02 8385 0076
 email: sales@sugo-au.com