

Technical Data

Electrical

Impedance: 50 Ohm

Voltage Rating: 30V/DC

Current Rating: 15A

Contact Resistance: <20mΩ

Insulation Resistance: >10MΩ / DC300V

Wire Range: 24-14 AWG

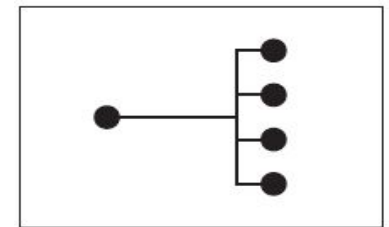
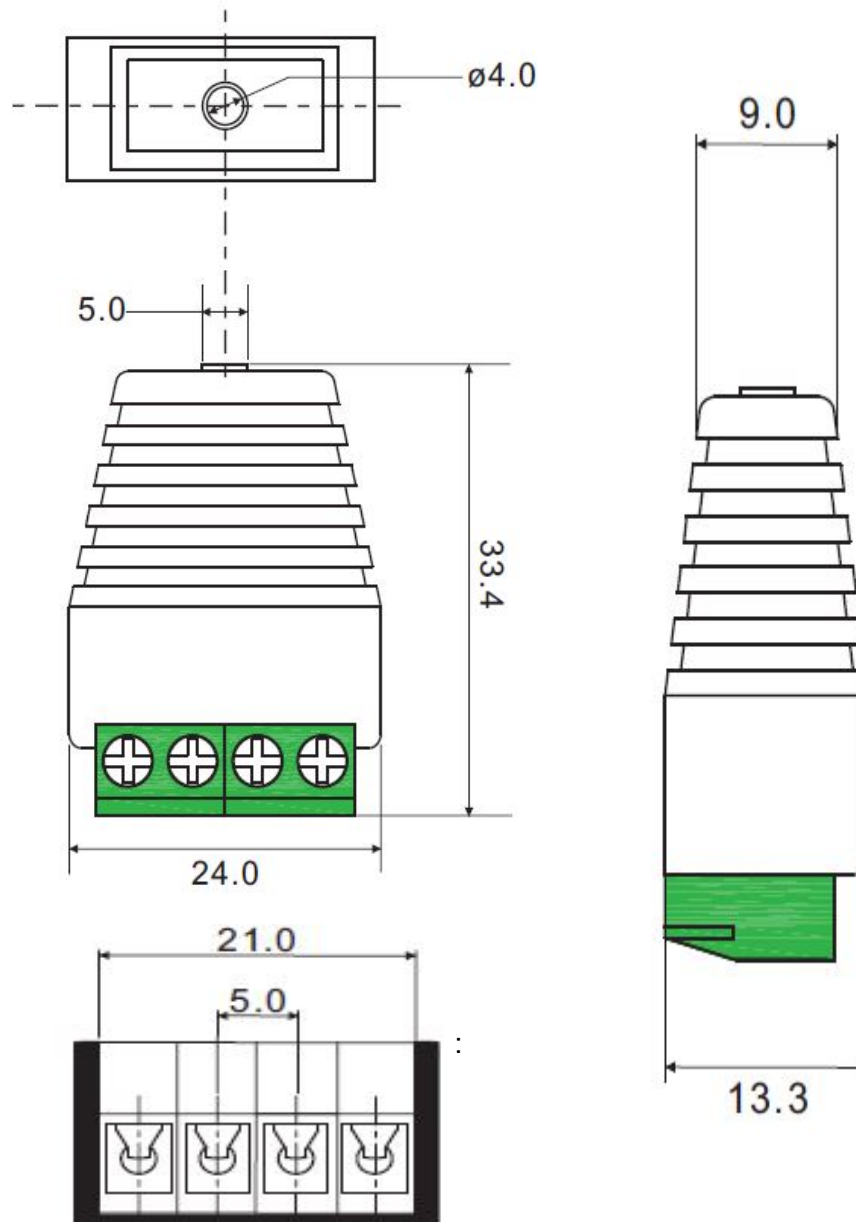
Mechanical

Torque: 4.0kgs.cm/M2.5

Operating Temperature: -20°C to 105°C

Material

Contact Material: Brass with Gold Plating



Title: 4.0 Banana Socket Terminal Adapter

GENERAL TOLERANCE
 X.X ±0.25
 X.XX ±0.15
 X.XXX ±0.05
 ANGLE TOLERANCE ±1°
 RADIUS ±0.25
 HOLE ±0.13

Part. no.	515-4-8155	DRAWN	Wang Pang	UNIT	mm
Item.	4.0 Banana Socket Terminal Adapter	CHECKED	Jade Xu	SIZE	A4
		APPROVED	Camily Pun	SCALE	1:1


 Sugo Products

★ **Sugo Industrial Company Limited**

Tel: 852 27901280 Fax.:852 23890688

email: sales@sugo.com.hk

🇺🇸 **Sugo International Pty. Limited**

Tel: (61) 02 8385 0076

email: sales@sugo-au.com